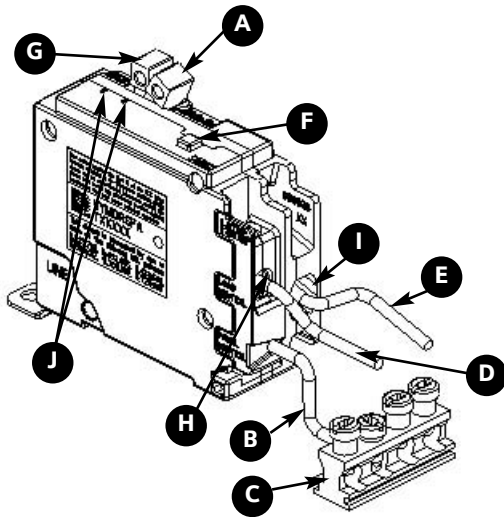


Circuit Breaker and Combination Type AFCI



- A Breaker Handle
- B Neutral (pig tail) Wire
- C Panel Neutral
- D Load Neutral Wire
- E Load Power Wire
- F Blue Test Button
- G Handle Tripped Center Position
- H Neutral Terminal
- I Load Terminal
- J Two Yellow LEDs



Features

- Plug-in circuit breaker
- LED trip indicators – a Siemens exclusive!
- 10kA interrupting rating
- 22kA interrupting rating for “H” models
- UL Listed
- 120 Volts AC
- Wire range #14 – 8 AWG
- Padlocking device available, use catalog number ECPLD1
- Handle blocking device available, use catalog number ECBX231M

Technical Specifications

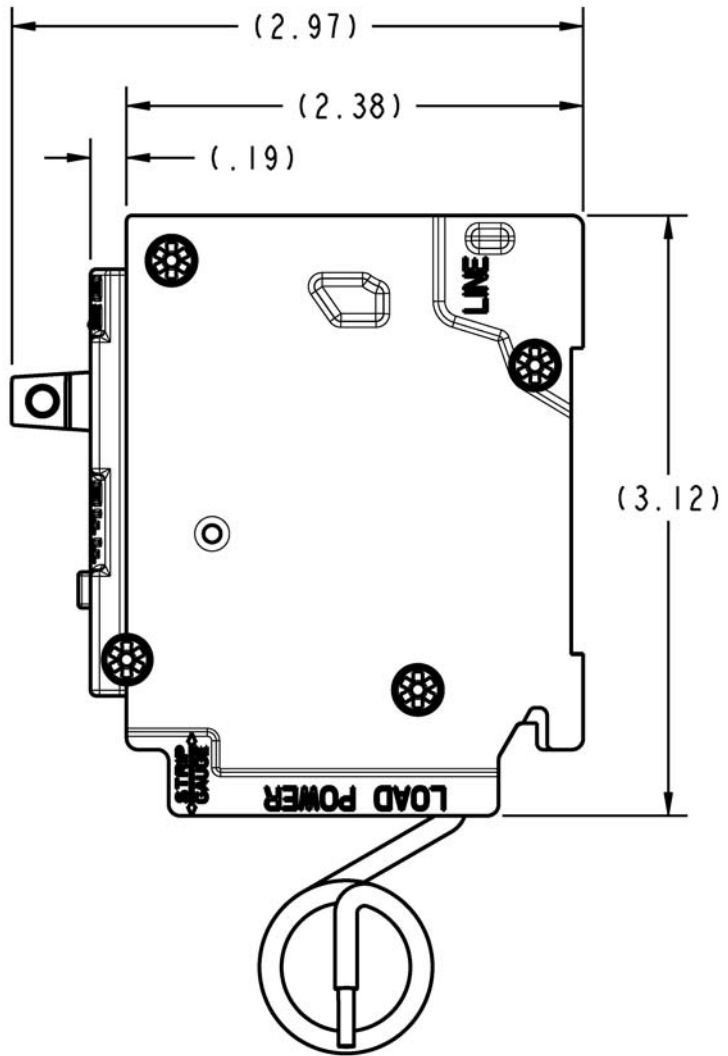
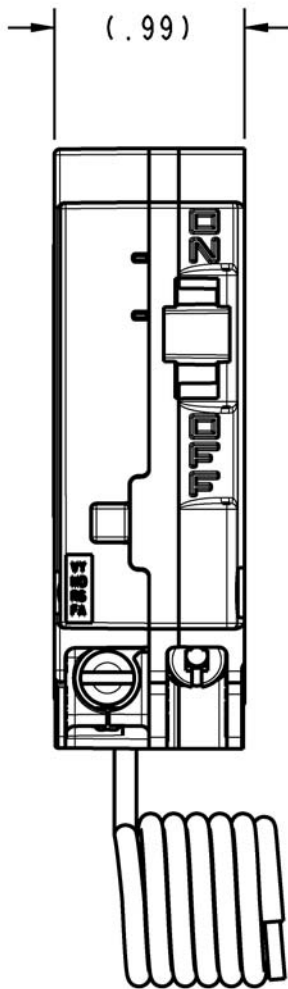
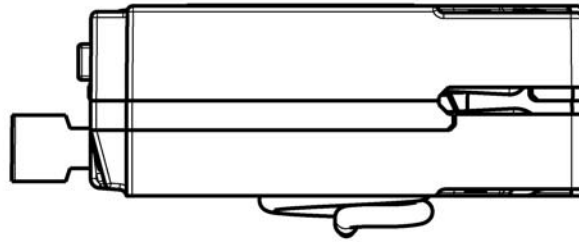
Catalog Number	Ampere Rating	Interrupting Rating	UL Type
Q115AFC	15	10kA	QAF
Q120AFC	20	10kA	QAF
Q115AFCH	15	22kA	QAFH
Q120AFCH	20	22kA	QAFH

fastfax

SIEMENS

Circuit Breaker and Combination Type AFCI

Outline Drawings (inches)



Circuit Breaker and Combination Type AFCI Time Current Characteristic Curves

