

2-Pole Arc-Fault Circuit Interrupters

Plug-in and Bolt-on

FEATURES

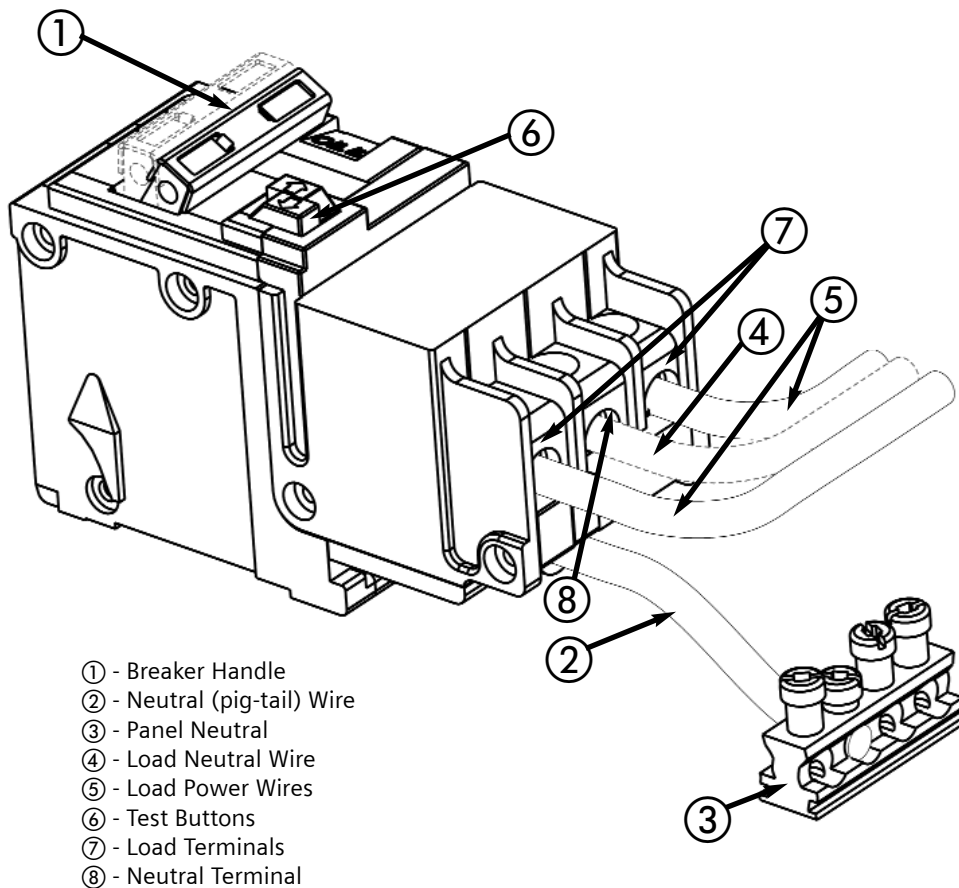
- Plug-in or bolt-on branch circuit breakers for Siemens single phase load centers
- Can be used in shared neutral applications.
- Available with interrupting rating of 10kA or 22kA
- UL Listed
- Ratings:
HACR
SWD
- 120/240 Volts AC
- Wire range:
#14 – #8 AWG Cu
#12 – #8 AWG Al
- Torque Rating: 25 lb. in.
- Padlocking device available, use catalog number PLD1

2-Pole Plug-in Arc-Fault Circuit Interrupters

Catalog Number	Ampere Rating	Interrupting Rating	UL Type
Q215AF	15	10kA	QAF
Q220AF	20	10kA	QAF
Q215AFH	15	22kA	QAFH
Q220AFH	20	22kA	QAFH

2-Pole Bolt-on Arc-Fault Circuit Interrupters

Catalog Number	Ampere Rating	Interrupting Rating	UL Type
B215AF	15	10kA	BAF
B220AF	20	10kA	BAF
B215AFH	15	22kA	BAFH
B220AFH	20	22kA	BAFH



fastfax

SIEMENS

Arc-Fault Circuit Interrupters (2-Pole, Plug-In AFCIs)

